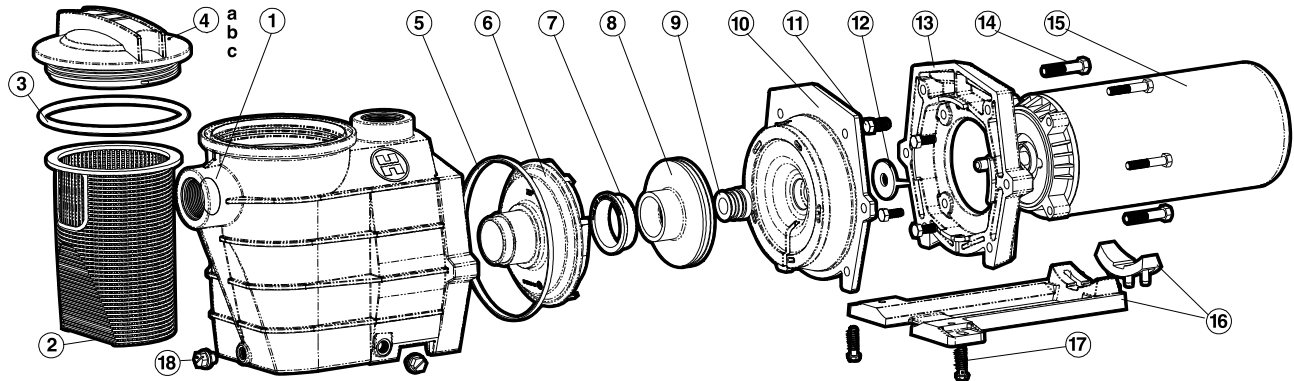


Parts for Pump Models: SP3007(EEAZ) (EECA), SP3010(EEAZ), SP3015(EEAZ), SP3020(EEAZ), SP3025(EEAZ), SP3030(EEAZ)



Ref. No.	Part No.	Description	Ctn.	Qty.	No. Req'd	List Price
1	SPX3000AA	Pump Housing/Strainer, 1 1/2" x 1 1/2", with Drain Plugs	1	1	1	\$436.12
1	SPX3100AAZ	Pump Housing/Strainer, 1 1/2" x 1 1/2", with Drain Plugs, Threaded Style	1	1	1	436.12
1	SPX3020AA	Pump Housing/Strainer, 2" x 2", with Drain Plugs	1	1	1	454.61
1	SPX3120AAZ	Pump Housing/Strainer, 2" x 2", with Drain Plugs, Threaded Style	1	1	1	441.71
2	SPX3000M	Basket	5	1	1	24.18
3	SPX3000S	Strainer Cover O-Ring	20	1	1	19.18
4a	SPX3000D	Strainer Cover, Hand-Knob Style, Clear	10	1	1	83.84
4b	SPX3100D	Strainer Cover, Threaded Style	10	1	1	83.05
4c	SPX3100DB	Strainer Cover for Biguanide Sanitizers NOT Pressure Testable	10	1	1	83.84
—	SP3100T	Pump Lid Removal Tool	25	1	1	27.36
5	SPX3000T	Housing Gasket	20	1	1	13.67
—	SPX1600R	Diffuser Gasket - Not Shown	25	1	1	5.07
—	SPXHKIT2	H-KIT Quick Pump Repair for Super II (Includes items 3, 5, 9, SPX1600R and Jack's Lube)	10	1	1	41.91
6	SPX2600B	Diffuser, for 3/4 through 2 H.P. (1987 and Prior)	10	1	1	47.45
6	SPX3000BN	Diffuser, for 3/4 through 1 1/2 H.P. (after 1988)	10	1	1	50.99
6	SPX3000B	Diffuser, for 2 1/2 and 3 H.P. (1989 and Prior)	10	1	1	52.50
6	SPX3021B	Diffuser, for 2, 2 1/2 and 3 H.P. (after 1990)	10	1	1	53.63
7	SPX3005R	Impeller Ring – 3/4 through 1 1/2 H.P. (3000 Series Impellers only)	50	1	1	7.46
7	SPX3021R	Impeller Ring – 2 through 3 H.P. (3000 Series Impellers only)	50	1	1	8.10
9	SPX1600Z2	Seal Assembly	10	1	1	30.41
10	SPX3020E	Seal Plate for SP3000 Series Impellers	8	1	1	68.53
11	SPX0125Z44	Motor Cap Screw (Set of 4)	20	4	4	12.78
12	SPX0125F	Slinger	50	1	1	5.05
13	SPX3000F	Motor Mounting Plate	10	1	1	67.79
14	SPX1600Z4	Housing Cap Screw	25	6	6	6.92
—	SPX3000Z26	Washer, 3/8" – for cap screw (Set of 6) – Not Shown	1	6	6	6.77
16	SPX3000GA	Mounting Bracket with Adapter and 2 Cap Screws	10	1	1	58.36
17	SPX1600Z52	Mounting Foot Cap Screw (Set of 2)	1	2	2	6.65
18	SPX1600V	1/4" Drain Plug (1991 and Prior)	50	2	2	3.03
18	SPX4000FG	1/4" Drain Plug with Gasket	50	2	2	6.11

Parts listed below must be ordered for specific model and H.P.:

8	SPX3016C	Impeller, for 1 1/2 H.P.	25	1	1	\$66.63
8	SPX3021C	Impeller, for 2 H.P.	20	1	1	72.32
8	SPX3026C	Impeller, for 3 H.P.	20	1	1	72.32
15	SPX1607Z1BE	Motor, 3/4 H.P., Threaded Shaft (Single Phase, 60 Cycle 115/230V)	1	1	1	542.39
15	SPX1610Z1BEE	Motor, 1 H.P., Threaded Shaft (Single Phase, 60 Cycle 115/230V)	1	1	1	562.63
15	SPX1615Z1BEE	Motor, 1 1/2 H.P., Threaded Shaft (Single Phase, 60 Cycle 115/230V)	1	1	1	674.00
15	SPX1620Z1BEE	Motor, 2 H.P., Threaded Shaft (Single Phase, 60 Cycle 230V)	1	1	1	815.32
15	SPX1625Z1M	Motor, 3 H.P., Threaded Shaft (Single Phase, 60 Cycle 230V)	1	1	1	1,093.95
15	SPX0160Z1D	Motor, 3 H.P., Threaded Shaft (Three Phase, 60 Cycle 230/460V)	1	1	1	1,211.82

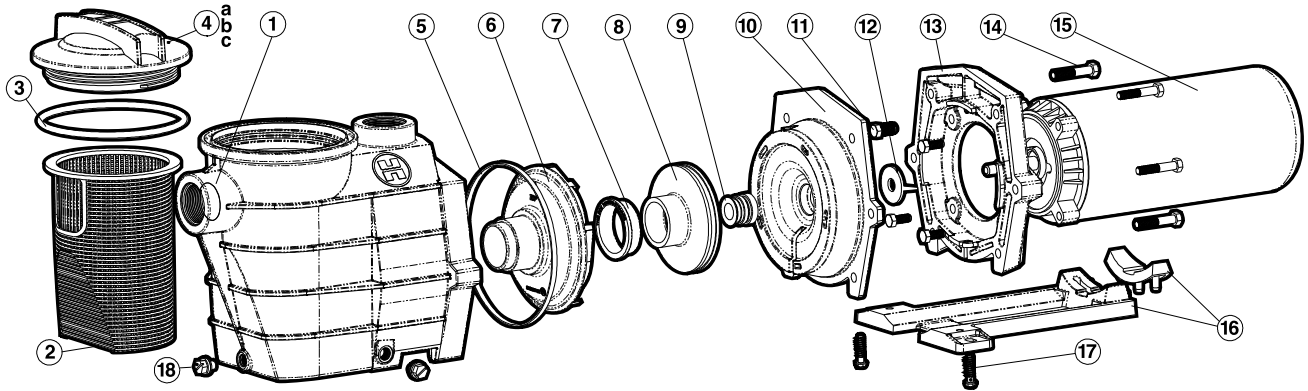
Replacement dedicated-purpose pool pump motors that are single-phase and 0.5 Total HP or greater but not variable speed cannot be offered for final retail sale in California per Title 20 CCR Section 1601-1609.

Super II™

SP3000X PUMP SERIES (MAX-RATED) REPLACEMENT PARTS

Pumps

Parts for Pump Models: SP3005X7(AZ), (W3)SP3007X10(AZ)(2), (W3)SP3010X15(2)(AZ), (W3)SP3015X20(2)(AZ), (W3)SP3020X25(2)(AZ), SP3025X30(AZ)



Ref. No.	Part No.	Description	Ctn.	Qty. No. Req'd	List Price
1	SPX3000AA	Pump Housing/Strainer, 1 1/2" x 1 1/2", with Drain Plugs	1	1	\$436.12
1	SPX3100AAZ	Pump Housing/Strainer, 1 1/2" x 1 1/2", with Drain Plugs, Threaded Style	1	1	436.12
1	SPX3020AA	Pump Housing/Strainer, 2" x 2", with Drain Plugs	1	1	454.61
1	SPX3120AAZ	Pump Housing/Strainer, 2" x 2", with Drain Plugs, Threaded Style	1	1	441.71
2	SPX3000M	Basket	5	1	24.18
3	SPX3000S	Strainer Cover O-Ring	20	1	19.18
4a	SPX3000D	Strainer Cover, Hand-Knob Style, Clear	10	1	83.84
4b	SPX3100D	Strainer Cover, Threaded Style	10	1	83.05
4c	SPX3100DB	Strainer Cover for Biguanide Sanitizers NOT Pressure Testable	10	1	83.84
—	SP3100T	Pump Lid Removal Tool	25	1	27.36
5	SPX3000T	Housing Gasket	20	1	13.67
—	SPX1600R	Diffuser Gasket – Not Shown	25	1	5.07
—	SPXHKIT2	H-KIT Quick Pump Repair for Super II (Includes items 3, 5, 9, SPX1600R and Jack's Lube)	10	1	41.91
6	SPX2600B	Diffuser, for 3/4 through 2 H.P. (1987 and Prior)	10	1	47.45
6	SPX3000BN	Diffuser, for 3/4 through 1 1/2 H.P. (after 1988)	10	1	50.99
6	SPX3000B	Diffuser, for 2 1/2 and 3 H.P. (1989 and Prior)	10	1	52.50
6	SPX3021B	Diffuser, for 2, 2 1/2 and 3 H.P. (after 1990)	10	1	53.63
7	SPX3005R	Impeller Ring – 3/4 through 2 H.P. (3000 Series Impellers only)	50	1	7.46
7	SPX3021R	Impeller Ring – 2 1/2 through 3 H.P. (3000 Series Impellers only)	50	1	8.10
9	SPX1600Z2	Seal Assembly	10	1	30.41
10	SPX3020E	Seal Plate for SP3000 Series Impellers	8	1	68.53
11	SPX0125Z44	Motor Cap Screw (Set of 4)	20	4	12.78
12	SPX0125F	Slinger	50	1	5.05
13	SPX3000F	Motor Mounting Plate	10	1	67.79
14	SPX1600Z4	Housing Cap Screw	25	6	6.92
—	SPX3000Z26	Washer, 3/8" – for cap screw (Set of 6) – Not Shown	1	6	6.77
16	SPX3000GA	Mounting Bracket with Adapter and 2 Cap Screws	10	1	58.36
17	SPX1600Z52	Mounting Foot Cap Screw (Set of 3)	1	2	6.65
18	SPX1600V	1/4" Drain Plug (1991 and Prior)	50	2	3.03
18	SPX4000FG	1/4" Drain Plug with Gasket	50	2	6.11

Parts listed below must be ordered for specific model and H.P.:

8	SPX3016C	Impeller, for 2 H.P.	25	1	\$66.63
8	SPX3021C	Impeller, for 2 1/2 H.P.	20	1	72.32
8	SPX3026C	Impeller, for 3 H.P.	20	1	72.32
15	SPX1605Z1M	Motor, 3/4 H.P., Threaded Shaft (Single Phase, 60 Cycle 115/230V)	1	1	430.70
15	SPX1607Z1M	Motor, 1 H.P., Threaded Shaft (Single Phase, 60 Cycle 115/230V)	1	1	477.54
15	SPX1610Z1M	Motor, 1 1/2 H.P., Threaded Shaft (Single Phase, 60 Cycle 115/230V)	1	1	536.85
15	SPX1615Z1M	Motor, 2 H.P., Threaded Shaft (Single Phase, 60 Cycle 115/230V)	1	1	694.61
15	SPX1620Z1M	Motor, 2 1/2 H.P., Threaded Shaft (Single Phase, 60 Cycle 230V)	1	1	815.49
15	SPX1625Z1M	Motor, 3 H.P., Threaded Shaft (Single Phase, 60 Cycle 230V)	1	1	1,093.95
15	SPX1610Z2M	Motor, 1 1/2 H.P., Threaded Shaft, 2-speed (Single Phase, 60 Cycle 230V)	1	1	803.64
15	SPX1615Z2M	Motor, 2 H.P., Threaded Shaft, 2-speed (Single Phase, 60 Cycle 230V)	1	1	958.82
15	SPX1620Z2M	Motor, 2 1/2 H.P., Threaded Shaft, 2-speed (Single Phase, 60 Cycle 230V)	1	1	1,069.38

Replacement dedicated-purpose pool pump motors that are single-phase and 0.5 Total HP or greater but not variable speed cannot be offered for final retail sale in California per Title 20 CCR Section 1601-1609.